

# EuroLite

Steel Doors & Windows

ET68-WE-X

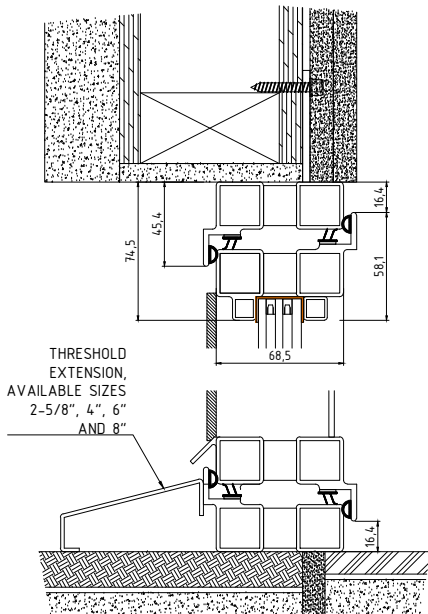
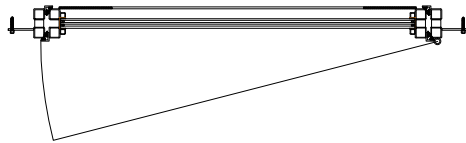
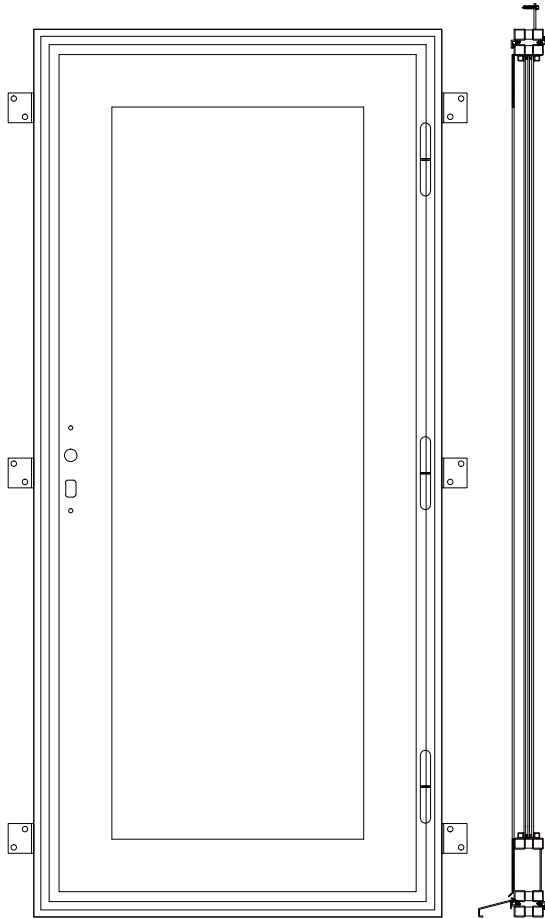
## ET68 ENTRY INSWING DOOR SINGLE

Locking: TBD  
 Operation:  
 Hinges: Welded Steel Barrel  
 Hinges w Brass Bearing

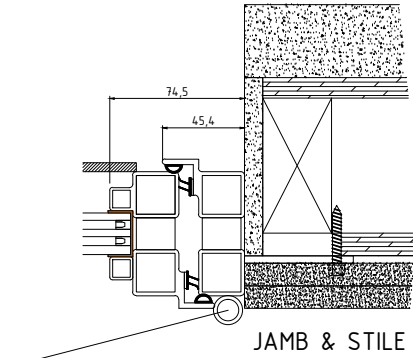
Glazing:  
 Dual/Triple pane Krypton Gas Filled  
 Integral Noise Control Included  
 Low E Options Available  
 Fully Tempered  
 Spacer, Black  
 Factory Installed Wet Glazing w Steel Stop  
 1/2" and 1" Muntins Available - FDL

Climate Proofing:  
 Integral Thermal Break  
 Dual Thermal Seals  
 Dual Air Seals

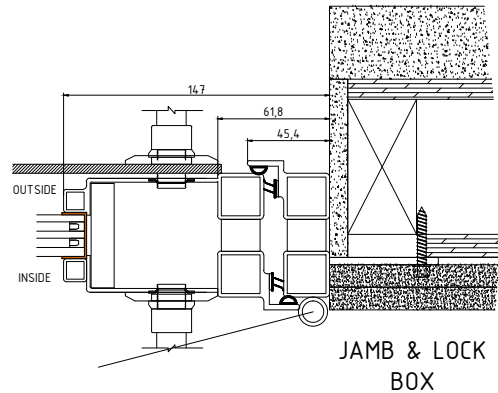
Frame:  
 Depth: 68 mm  
 Attachment: Mounting Lug  
 Finish:  
 Thermally Bonded Zinc Galvanized  
 2 Coats Epoxy Primer  
 3 Coats Acrylic Lacquer  
 3 Coats Clear Polyurethane



VERTICAL SECTION



JAMB & STILE



JAMB & LOCK BOX

\* MUNTINS ARE OPTIONAL