

# EuroLite

Steel Doors & Windows

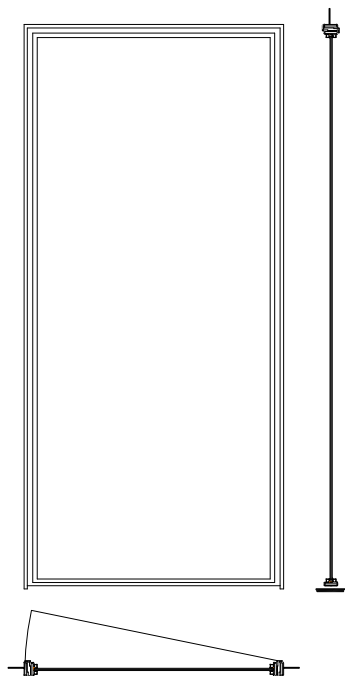
IN50-GD-X  
IN50 INTERIOR SWING DOOR-SINGLE

Locking: Optional  
Operation: Handle  
Hinges: Welded

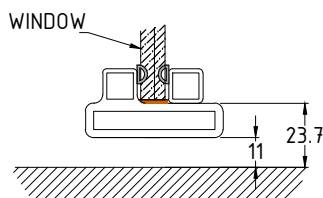
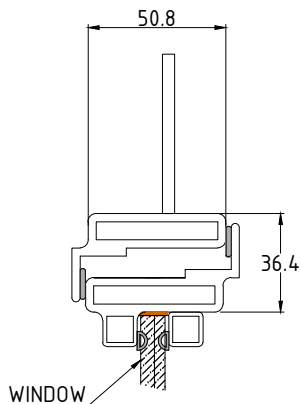
Glazing:  
Dual pane  
Factory Installed Wet Glazing w Steel Stop  
Muntins Available - FDL

Frame:  
Depth: 50 mm  
Attachment: (optional)

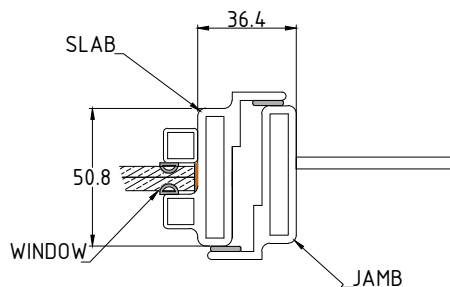
Finish:  
Thermally Bonded Zinc Galvanized  
2 Coats Epoxy Primer  
3 Coats Acrylic Lacquer  
3 Coats Clear Polyurethane



\* MUNTINS ARE OPTIONAL



VERTICAL SECTION



HORIZONTAL SECTION