

EuroLite

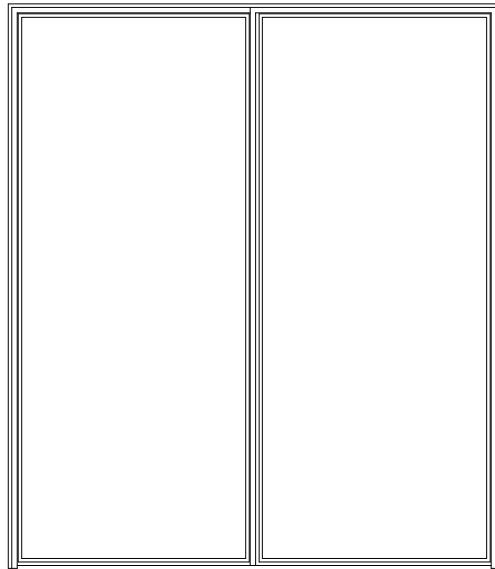
Steel Doors & Windows

IN50GD-XX IN50 INTERIOR SWING DOOR-DOUBLE

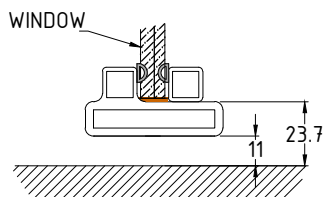
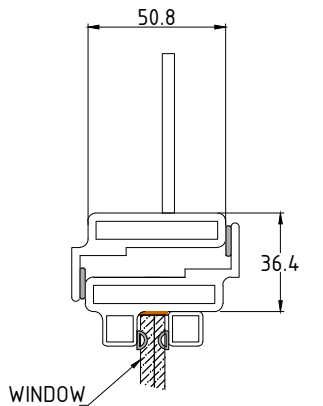
Locking: Optional
Operation: Pull Handle w Roller Catch
Hinges: Welded

Glazing:
Dual pane
Factory Installed Glazing w Steel Stop
Muntins Available - FDL

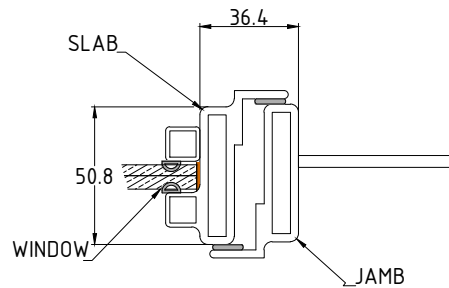
Frame:
Depth: 50 mm
Attachment: Lugs or Thru Bolts
Finish:
Thermally Bonded Zinc Galvanized
2 Coats Epoxy Primer
3 Coats Acrylic Lacquer
3 Coats Clear Polyurethane



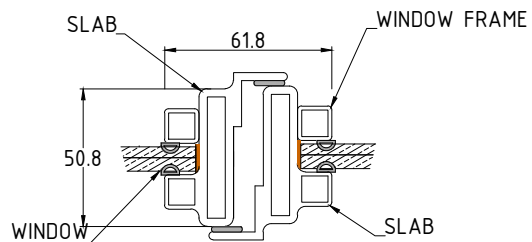
* MUNTINS ARE OPTIONAL



VERTICAL SECTION



HORIZONTAL SECTION



MEETING STILES HANDED